



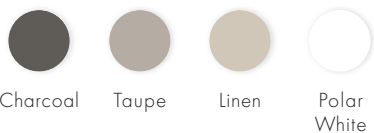
COLLABORATIONS - Kelly Hoppen MBE

Origami freestanding basin

440mm

As imposing as a piece of art, the Origami Freestanding basin is a beautiful companion to the Origami bath. Showcasing the minimalist lines of an intricate Origami pattern and portraying the traditional art form with sophistication and discipline.

COLOUR PALETTE



Charcoal Taupe Linen Polar White

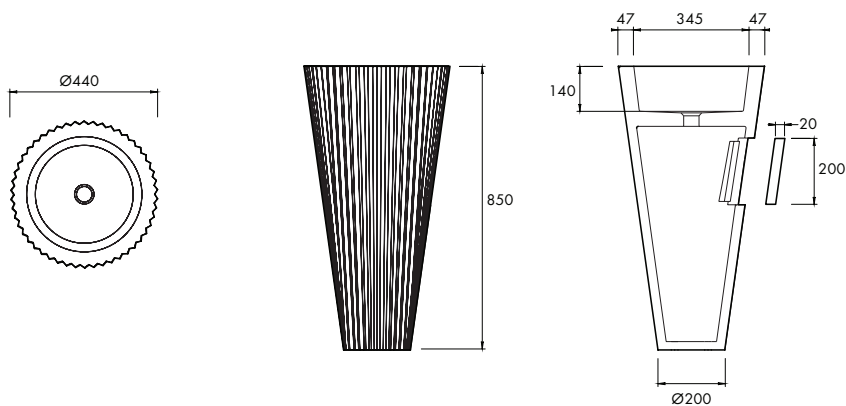
apaiser MARBLE

apaiserMARBLE® is a luxurious, performative, non-porous marble material, derived from reclaimed marble, enriched with the purity of Australian minerals. Offering enhanced performance, achieved through the integration of the most advanced materials, apaiserMARBLE is shaped and perfected by our master craftsmen.

We at apaiser are committed to manufacturing bathware, which is respectful of the environment. In all phases of our process, we strive to produce a product with consistently low environmental impact.

apaiser CARE

A dedicated support platform comprising apaiser's in-house design and engineering professionals, provides superior service quality and peace of mind to all our project customers and retail installations. apaiserCARE® oversees design to delivery, installation and training.



DIMENSIONS

Ø440mm x 850mm high
Approx weight: 70kg (154lb)

Overflow option available.



Product code 6056

Colours are indicative and for reference purposes only. Due to the hand finished nature of our products, dimensional tolerances are applicable. All products to include apaiser waste.

apaiser.com



COLLABORATIONS - Paul Flowers

Chameleon A-Series freestanding basin

540mm

With its bold, sculptural form extending to the floor, the freestanding basin allows for a strong explosion of style and creativity when paired with the A-series bath. Captivate the imagination with a kaleidoscope of colours and embrace your individuality.

COLOUR PALETTE



apaiser MARBLE

apaiserMARBLE® is a luxurious, performative, non-porous marble material, derived from reclaimed marble, enriched with the purity of Australian minerals. Offering enhanced performance, achieved through the integration of the most advanced materials, apaiserMARBLE is shaped and perfected by our master craftsmen.

We at apaiser are committed to manufacturing bathware, which is respectful of the environment. In all phases of our process, we strive to produce a product with consistently low environmental impact.

apaiser CARE

A dedicated support platform comprising apaiser's in-house design and engineering professionals, provides superior service quality and peace of mind to all our project customers and retail installations. apaiserCARE® oversees design to delivery, installation and training.

DIMENSIONS

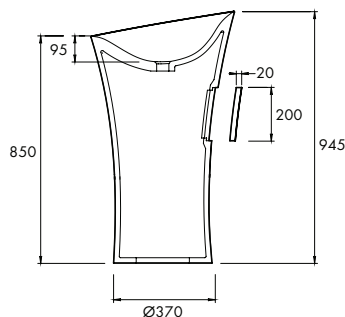
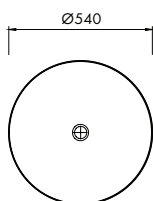
Ø540mm x 945mm high

Approx weight: 74kg (163lb)

Overflow option available.



Product code 6119





GEOMETRICS

Lunar Pool basin

Freestanding

Rising from the ground with a bold cylindrical form, the Lunar Pool basin is a modern approach to the traditional pedestal basin. Designed to stylishly complement the bath.

COLOUR PALETTE



apaiser MARBLE

apaiserMARBLE® is a luxurious, performative, non-porous marble material, derived from reclaimed marble, enriched with the purity of Australian minerals. Offering enhanced performance, achieved through the integration of the most advanced materials, apaiserMARBLE is shaped and perfected by our master craftsmen.

We at apaiser are committed to manufacturing bathware, which is respectful of the environment. In all phases of our process, we strive to produce a product with consistently low environmental impact.

apaiser CARE

A dedicated support platform comprising apaiser's in-house design and engineering professionals, provides superior service quality and peace of mind to all our project customers and retail installations. apaiserCARE® oversees design to delivery, installation and training.

DIMENSIONS

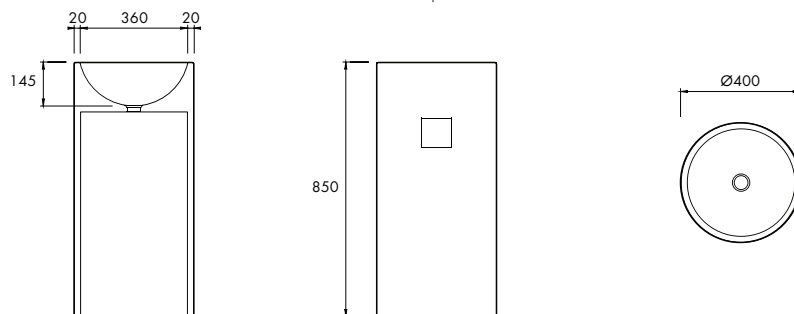
Ø400 x 850mm high

Approx weight: 55kg (120lb)

Overflow option available.



Product code 6006





GEOMETRICS

Sublime Lagoon basin

Freestanding

Modern and contemporary, this freestanding basin pays tribute to the traditional pedestal basin. Its clean lines and balanced form offer the ideal pairing for the Sublime bath.

COLOUR PALETTE



apaiser MARBLE

apaiserMARBLE® is a luxurious, performative, non-porous marble material, derived from reclaimed marble, enriched with the purity of Australian minerals. Offering enhanced performance, achieved through the integration of the most advanced materials, apaiserMARBLE is shaped and perfected by our master craftsmen.

We at apaiser are committed to manufacturing bathware, which is respectful of the environment. In all phases of our process, we strive to produce a product with consistently low environmental impact.

apaiser CARE

A dedicated support platform comprising apaiser's in-house design and engineering professionals, provides superior service quality and peace of mind to all our project customers and retail installations. apaiserCARE® oversees design to delivery, installation and training.

DIMENSIONS

510mm x 410mm x 850mm

Approx weight: 65kg (143lb)



Product code **6113**

